



9-37 Currans Road, Cooranbong, NSW 2265
+61 (0)2 4977 3511
unisales@unitronix.com.au www.unitronix.com.au



Dawn VME is a "Service disabled veteran owned small business concern"

Visit our website @ www.dawnvme.com

SYSTEM PACKAGING EXPERTS



DAWN SPEAKS VPX LOUD AND CLEAR!

"You provide the idea. We provide the Solution"

3U & 6U Development Chassis 3U/ Table Top or Rack Mount 6U/ High Power Rack Mount



AVAILABLE AS CONDUCTION COOLED

DEV-4200 DEV-4135



RME-5849



RME-6460



3U/ 2-16 Slots

RME-6430



6U/ 5 Slot RM

RME-5506



3U/4-18 Slots Desk Top or RM

1290 Series



Conduction and Air Over Conduction Solutions

3U/ Air Over Cond.



ATR-5700

3U/Cond.

3U/ Cond.



2 Slot

3U/Cond.

3U/Cond.



9 Slot

6U/ Air Over Cond.

6U/ Air Over Cond.



1200 Watts / Drive Bay



Available in 1-6 Slots



3 Slot



8 Slot / 1000W

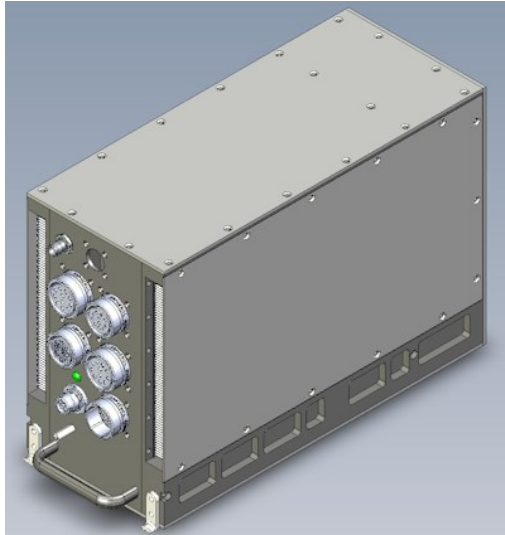
If you do not see what you are looking for, please ask. Our product offering is expanding daily!

Dawn VME's Continually Growing Family of VPX Products!

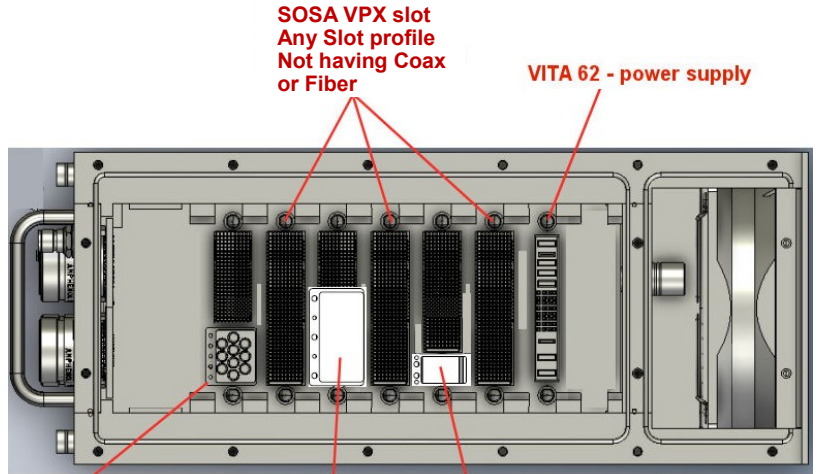
Dawn VME's 3U, Rapid Deployment Chassis Solutions (12 weeks)

All chassis are configurable with single slot backplanes and Meritech VPX cables / coax / fiber for quick turns.

3U/ Air Over Cond.



RPDC-786



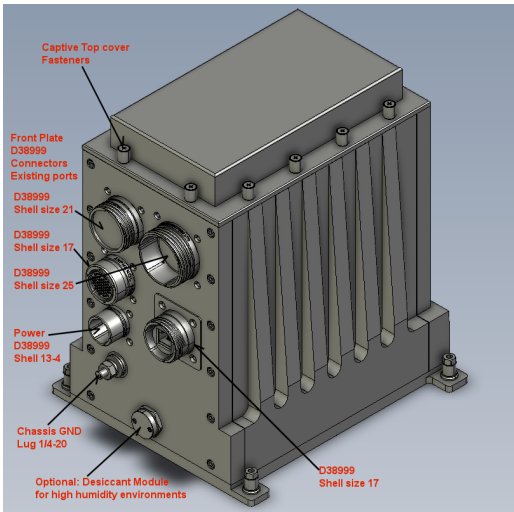
SOSA VPX slot
Any Slot profile
Not having Coax
or Fiber

VITA 62 - power supply

SOSA VITA67.3C
Any Slot profile
Having VITA65
Aperture Pattern H

SOSA VITA67.3E
Any Slot profile
Having VITA65
Aperture Pattern K

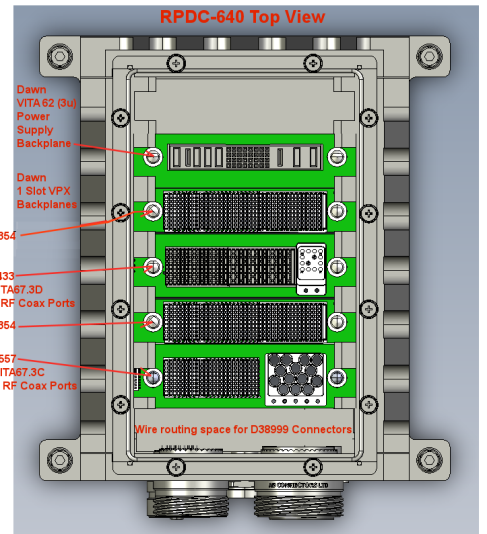
SOSA VITA67.3D
Any Slot profile
Having VITA65
Aperture Pattern J



RPDC-640

Captive Top cover Fasteners
Front Plate D38999 Connectors Existing ports
D38999 Shell size 21
D38999 Shell size 17
D38999 Shell size 25
Power D38999 Shell 13-4
Chassis GND Lug 114-20
Optional: Desiccant Module for high humidity environments
D38999 Shell size 17

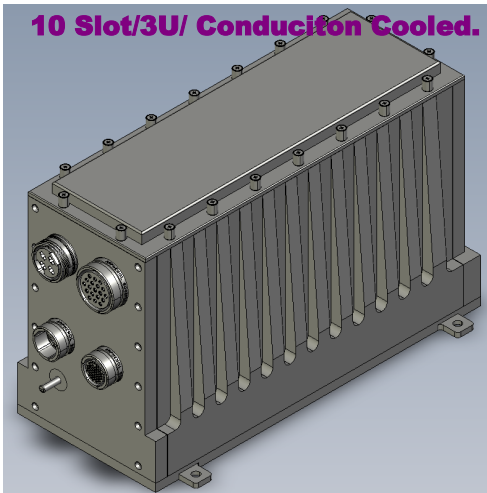
3U/ Conduction Cooled



RPDC-640 Top View

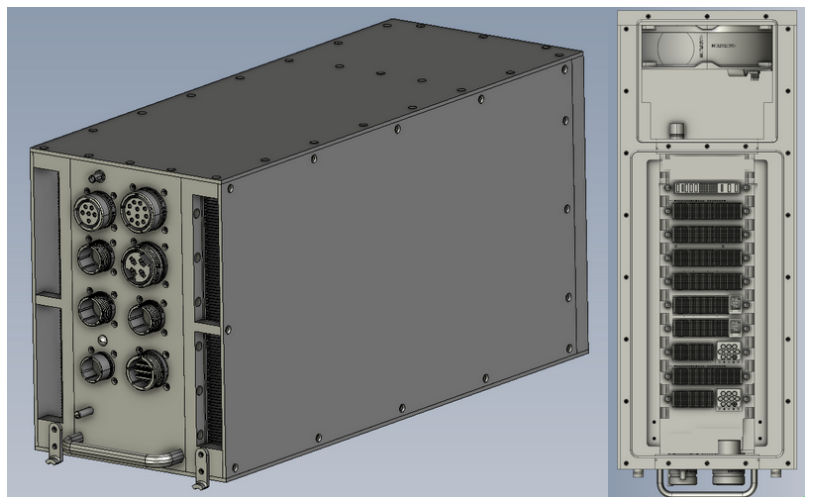
Dawn VITA 62 Bus Power Supply Backplane
Dawn 1 Slot VPX Backplanes
06-1020354 3u VPX
08-1020433 VPX + VITA67.3D up to 12 RF Coax Ports
06-1020354 3u VPX
06-1020557 VPX + VITA67.3C up to 19 RF Coax Ports
Wire routing space for D38999 Connectors

10 Slot/3U/ Conduction Cooled.



RPDC-1012

3U/ Air Over Cond.



RPDC-656

Dawn VME's 3U, 400Watt, VPX Vita 62 Compliant Power Supplies

PSC-6238



18-36VDC Input

PSC-6234



18-36VDC Input

HLD-6724



50mSec Holdup Module

PSC-6236



90-264VAC Input

HLD-6726



50mSec Holdup Module

PSC-8742



VITA62 Compliant 264W

PSC-6229



24-48VDC Input

PSC-6234



85-264VAC Input

PSC-6236



90-264VAC Input

PSC-6265



85-265VAC Input
580 Watts

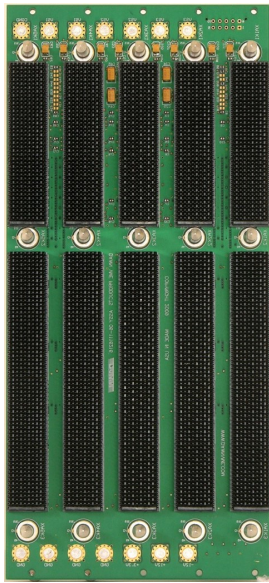
HLD-6265



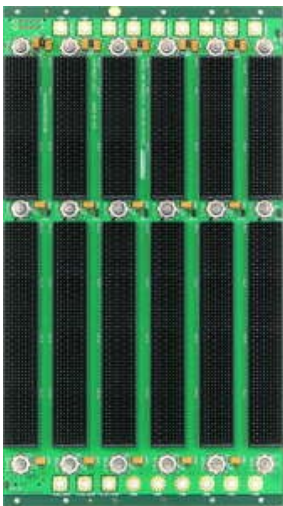
Mil - STD 704
50mSec Hold Up Module

6U

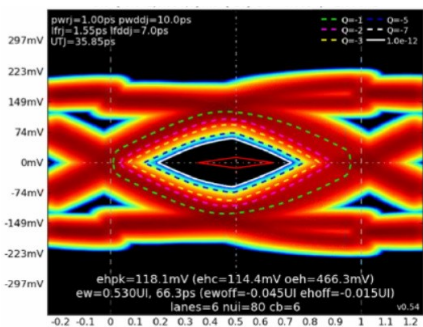
Visit our website at WWW.DAWNME.COM



VPX-7135



VPX-7136



Dawn Gen3, 3U/6U OpenVPX Backplanes Designed For True Signal Integrity At Up To 10.3 Gbaud Performance

Dawn's 598x Series VPX backplanes are designed to be compliant with the following released standards and December 2015 state of draft specifications:

VITA 46.0, VITA 46.1, VITA 46.3, VITA 46.4, VITA 46.6, VITA 46.7, VITA 46.9, VITA 46.10, VITA 46.11, VITA 48.0(REDI), VITA 48.1(REDI Air Cooling), VITA 48.2(REDIConduction Cooling), VITA65.0 (OpenVPX) ready.

VITA 68 backplane models are available on request for system simulation.

Dawn VPX598x Series Gen3 3U OpenVPX Backplanes Summary of Features;

- 3U OpenVPX compliant, 1" pitch.
- Supporting PCIe Gen3 and 10 GbE (XAUI).
- Designed for signal integrity at up to 10.3 Gbaud performance.
- Multiple connector choices, including a high vibration option.
- Terminal block and bus bars to facilitate any desired power supply.

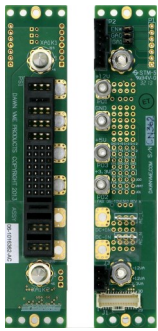
Easy to Configure

The VPX598x Series offers multiple connector choices from the leading connector vendors, Tyco and EPT. Options include the Tyco MULTIGIG RT 2 and MULTIGIG RT 2R ruggedized connectors and the EPT Velox® connectors. Amphenol RVPX or Viper connectors available on request. Any standard power supply can be configured with the VPX598x Series, using its available terminal block and bus bars to facilitate the power connection.

Applications Supporting PCIe Gen3 and 10 GbE (XAUI) and the most advanced Gen3 bandwidth module configurations. Dawn VPX598x Series Gen3 3U OpenVPX Backplanes deliver robust signal integrity at Gen3 bandwidths with multiple connector choices, including a high vibration option.

Visit our website at WWW.DAWNVME.COM

Single slot backplanes



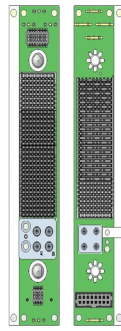
VPX-6362
3U
Power Supply
Backplane



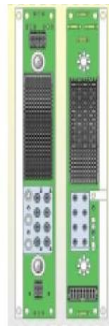
VPX-8867



VPX-7998



VPX-7997



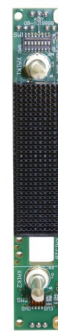
VPX-8867



VPX-8467



VPX-9518



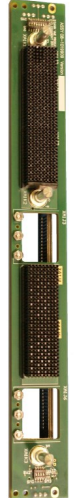
VPX-9998

NEW



VPX-8805

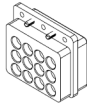
NEW



VPX-9909

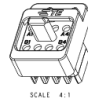
NEW

SV Microwave makes a 67.3C which has 12 coax contacts
P/N SF9321-60083



NEW

Dawn also has a NanoRF BP (for 8 coax version).
(Tyco P/N 2828434-1)



NEW

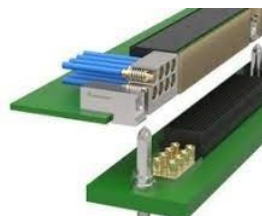
SOSA Profiles Available

Standard 3u VPX (VITA65/46) (25Gbps Tyco RT3) = [06-1020354](#) (SOSA) - Slot Profile SLT3-PAY-1F1F2U1T1U1T-14.2.16 and similar

(Slot Profile SLT3-SWH-6F8U-14.4.15 or SLT3-SWH-6F1U7U-14.4.14 or SLT3-PAY-2U2U-14.2.17 or SLT3-PAY-2F2U-14.2.3 or SLT3-PAY-1F1F2U1T1U1T-14.2.16 & Similar with no VITA65 "Aperture" connector hole.)



VPX+ (VITA67.2 (aka VITA67.3 Type B) (aka V65 Aperture G) = [06-1118867-01](#)

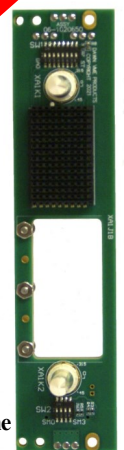


VPX 8867

NEW

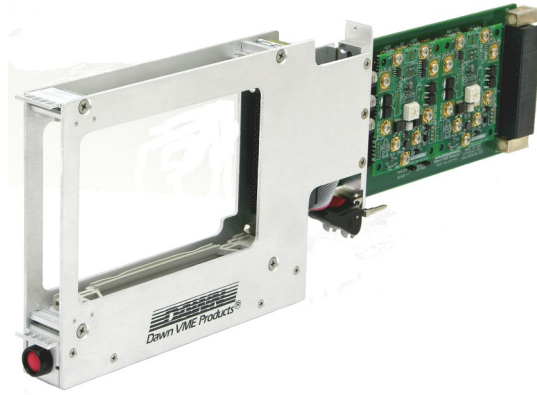


VPX 0650 SOSA 3U Backplane



3U/6U VPX Intelligent Extender Card

Convection
Cooled

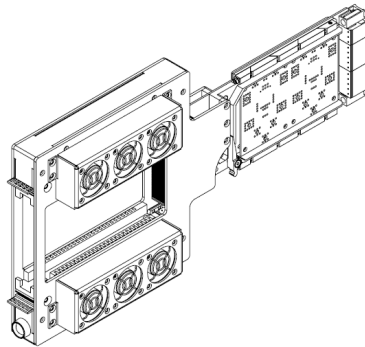


**3U Part Number;
11-1017471**



**6U Part Number;
11-1017458**

Conduction
Cooled

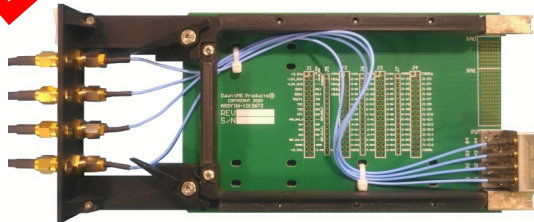


3U Part Number;



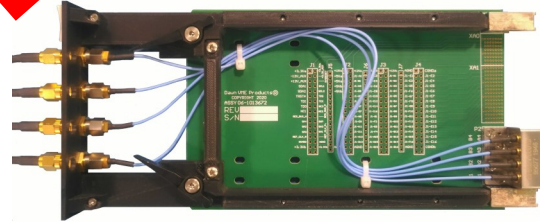
6U Part Number;

NEW



**3U VITA 67.2
Extender Card**

NEW



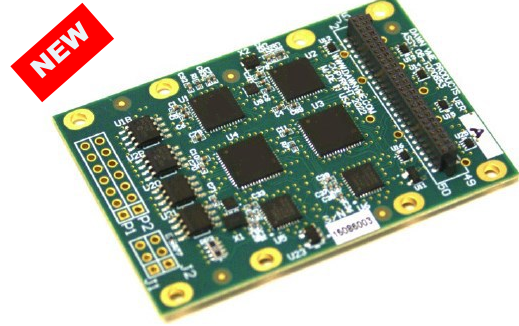
**3U VITA 67.3 Type C
Extender CARD**

Other Versions
Available

Visit our website at WWW.DAWNVME.COM

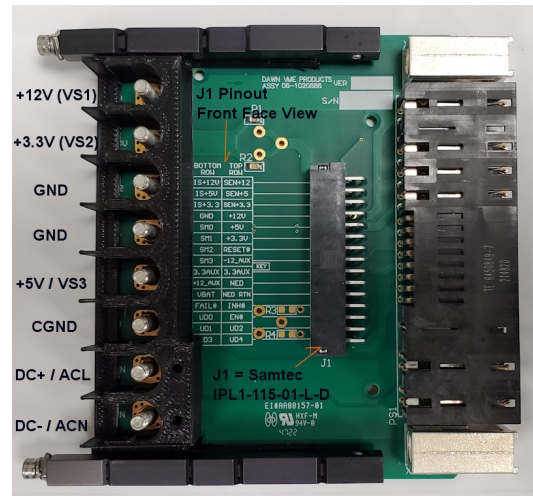
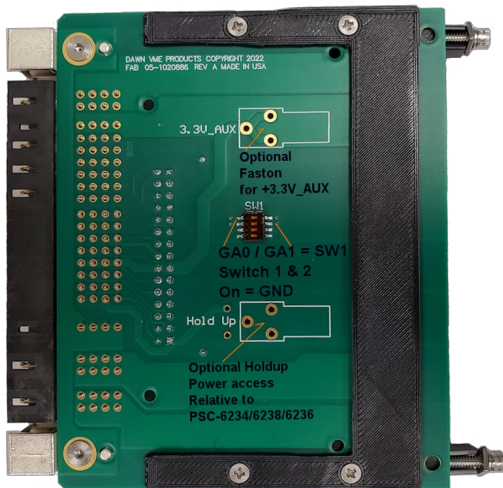


SERDES Ethernet to Base-T Conversion Module



USB Multi-interface Adapter Board for SOSA Systems

Connect all these RS-232 / JTAG / I2C / SPI ports to a Dawn 06-1020853 USB 2.0 multi-interface adapter card, and combine all these ports (RS-232 / JTAG / I2C / SPI) into a single USB access interface which is compatible with SOSA D38999 connector pinout standards.



06-1020886
VITA 62 3u cable adapter card.
Available in Air cooled latch or Wedgelock chassis mounting versions.

10G-KR/KX/ SGMII to 10G/1G-BASE-T Conversion Module



Solution is to convert the Backplane standard ports (10G-Base KR, SGMII, KX ...etc) to 10G-BaseT / 1G -BaseT Ethernet ports, so they can be linked to other equipment which is more than 12

inches from the source VPX card. Specifications

Universal 6U/3U VPX Rear Transition Module



RTM-9265



RTM-9380

Meritec VPXplus From Dawn VME



Innovative Interconnect Solutions from Meritec which adds topology mapping and I/O through cables attached to RTM connectors of backplane. Wide

choice of standard parts allows for Ultra-Thin to Fat Pipe connections between slots and virtually any type of I/O. Custom parts available for special applications.

3U VPX Intelligent Test Module



ITM-6973

PIC Microprocessor For Testing, Data Logging and Control. 6 Microprocessor Controlled High Current Active Loads. 6 Channel

Volt Meter. 6 Channel Current Meter. 4 Precision Temperature Sensors. 6 Channel Noise Meter. 2 Each 3 Axis Accelerometers. Real Time Clock for Event Stamping. USB Connection to PC And Many More Features!



RuSH SYSTEM Monitor

monitors voltages and temperatures and monitors and controls fan speeds in response to user commands or temperatures. A huge variety

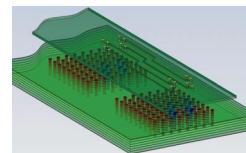
of parameters are user-selectable through a menu-driven interface. Most models are available with Ethernet, RS-232, LCD and LED interfaces. No other monitor or controller on the market has more features or is easier to use. deal with nearly any situation.

Unique VPX Backplane Technology



Dawn VME is the only VPX backplane manufacturer with **FMM** (Fabric Mapping Module) technology. These consist of 4 layer overlays that allow us to map user defined pins in virtually any configuration from slot to slot. With an ever growing library of FMM's we can turn custom

configured backplane fast and inexpensively. This technology has been thoroughly tested and proven reliable in in harsh military environments and meets all VPX performance specifications.



You need it right. You want Dawn!

Visit our website at WWW.DAWNME.COM