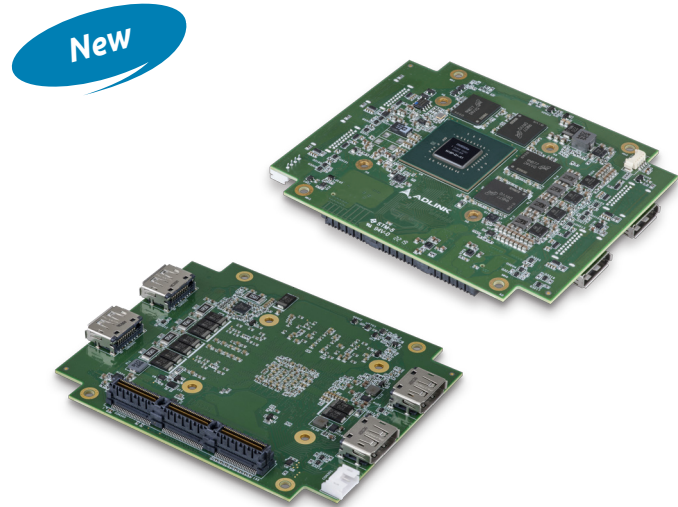


CM5-P1000

PCIe/104 Type 1 Embedded Graphics Module with NVIDIA® Quadro® P1000

Features

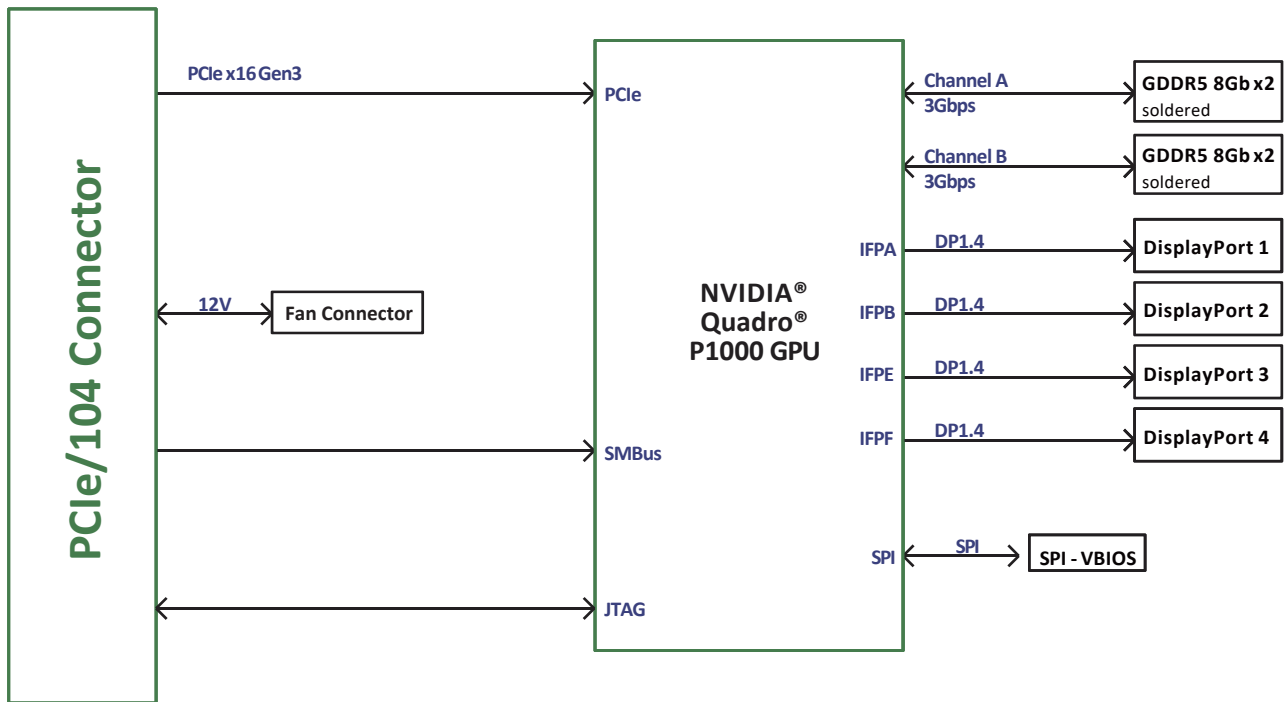
- PCIe/104 Type 1 (116 x 96 mm)
- 640 CUDA cores
- 1.8 TFLOPS peak FP32 performance
- 4GB GDDR5 memory
- 96GB/s maximum memory bandwidth
- 4x UHD DisplayPort outputs
- Wide operating temperature range: -40°C to +85°C



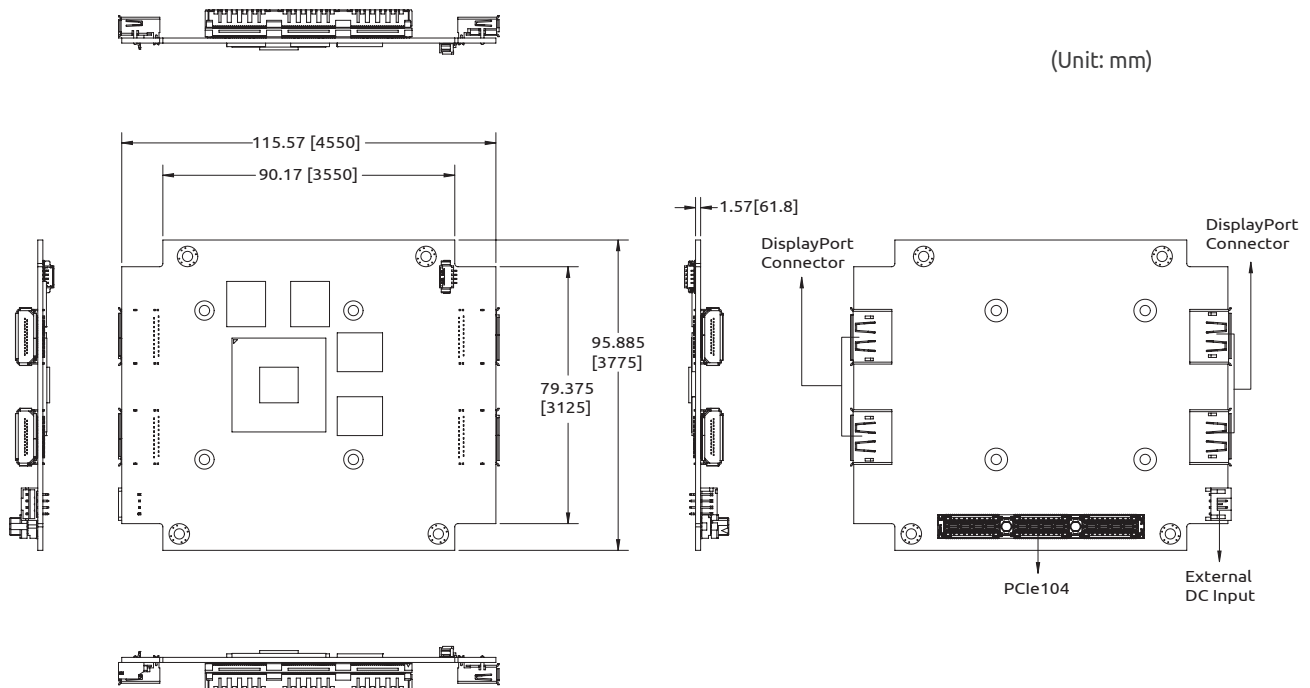
Specifications

- **Graphics Core**
Architecture
NVIDIA® Pascal™ GP107, 640 CUDA cores
GPU
Quadro® P1000
Display Outputs
4x DisplayPort 1.4 digital video outputs
Signal Interface
PCI Express x16 Gen3 bus
- **GPGPU Computing**
GFLOPS
1.8 TFLOPS peak FP32 performance
CUDA Support
CUDA Toolkit 8.0, CUDA Compute version 6.1 OpenCL™ 1.2, DirectX® 12, OpenGL 4.5, Vulkan 1.0
- **Memory**
GDDR5 Memory
4GB
Memory Width
128-bit
Bandwidth
96 GB/s
- **Physical Dimensions**
116 (W) x 96 (D) mm
Interface
PCIe/104 type 1
- **Environmental**
Operating Temp.
-40°C to 85°C
Storage Temp.
-40°C to 85°C
Operating Humidity
95% @40°C (non-condensing)
- **Operating Systems Supported OS**
Windows 10
Linux 64-bit

Functional Diagram



Mechanical Drawings



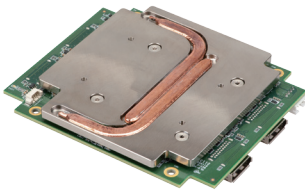
Ordering Information

- **CM5-P1000-DP**
PCIe/104 Type 1 Graphics module, NVIDIA Quadro P1000 (640 CUDA cores), 4GB GDDR5, 0°C to +60°C
- **CM5-P1000-DP-ETT**
PCIe/104 Type 1 Graphics module, NVIDIA Quadro P1000 (640 CUDA cores), 4GB GDDR5, -40°C to +85°C

For conformal coating please contact your local sales representative.

Optional Accessories

- **CMx-P1000TM-00**
CM5-P1000-DP heat spreader, -40°C ~85°C
- **CMx-P1000TM-10**
CM5-P1000-DP passive heat sink, -40°C ~85°C with air flow
- **CMx-P1000TM-20**
CM5-P1000-DP active heat sink, -10°C ~70°C
- **CMx-P1000TM-30**
CM5-P1000-DP active heat sink for ETT test, -40°C ~85°C



CMx-P1000TM-00



CMx-P1000TM-10



CMx-P1000TM-20



CMx-P1000TM-30